

Surface Mount (SMD) Diodes and Rectifiers Package Information

SMA-F	SMA-J
DO-214AC(SMA)	DO-214AA(SMB)

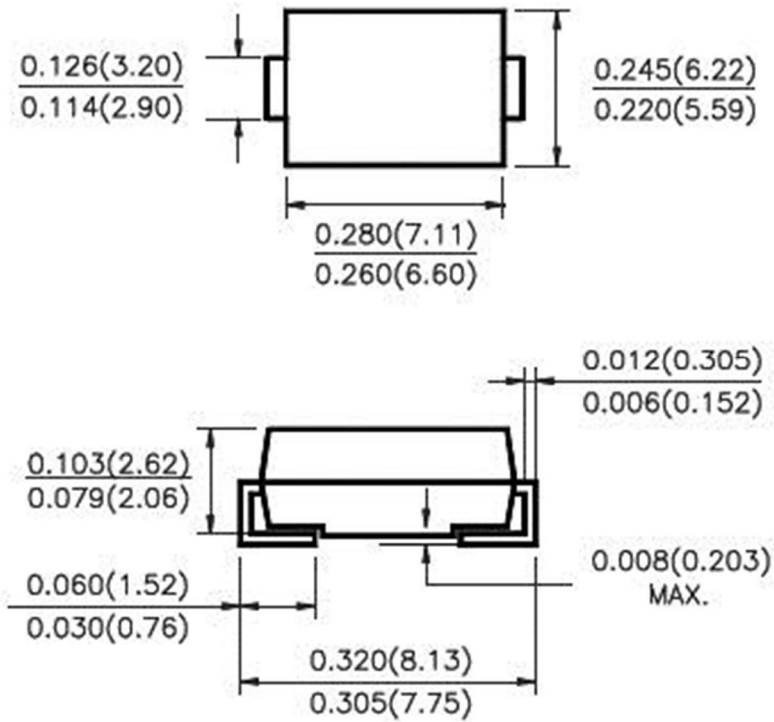
All Dimensions in inches and (millimeters),

WEE Technology Company Limited www.smddip.com info@smddip.com

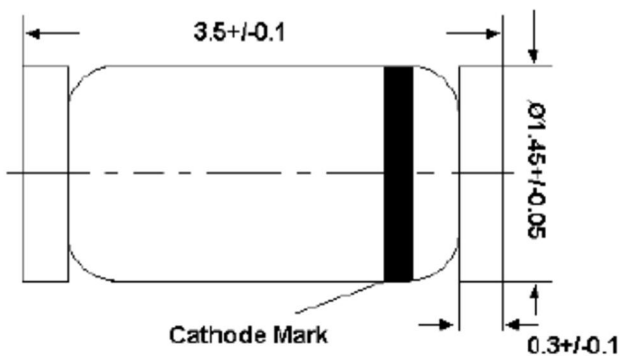
Manufacturer of Surface Mount (SMD) and Through Hole (DIP) Diodes & Rectifiers.

Surface Mount (SMD) Diodes and Rectifiers Package Information

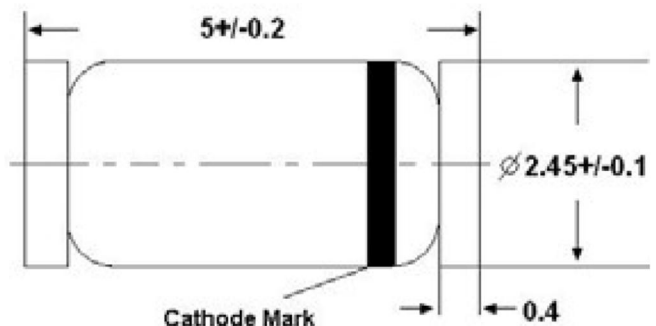
DO-214AB(SMC)



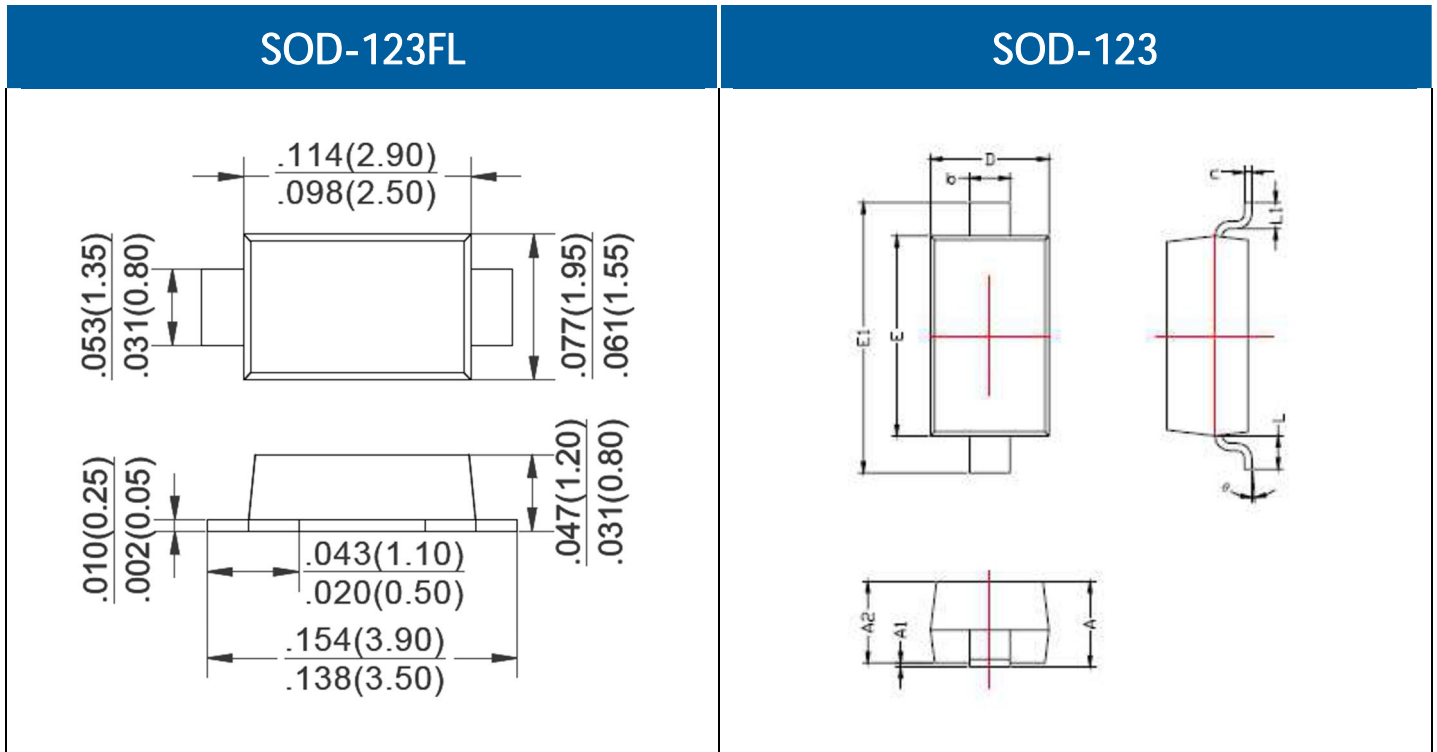
DO-213AA(LL-34,Min-Melf)



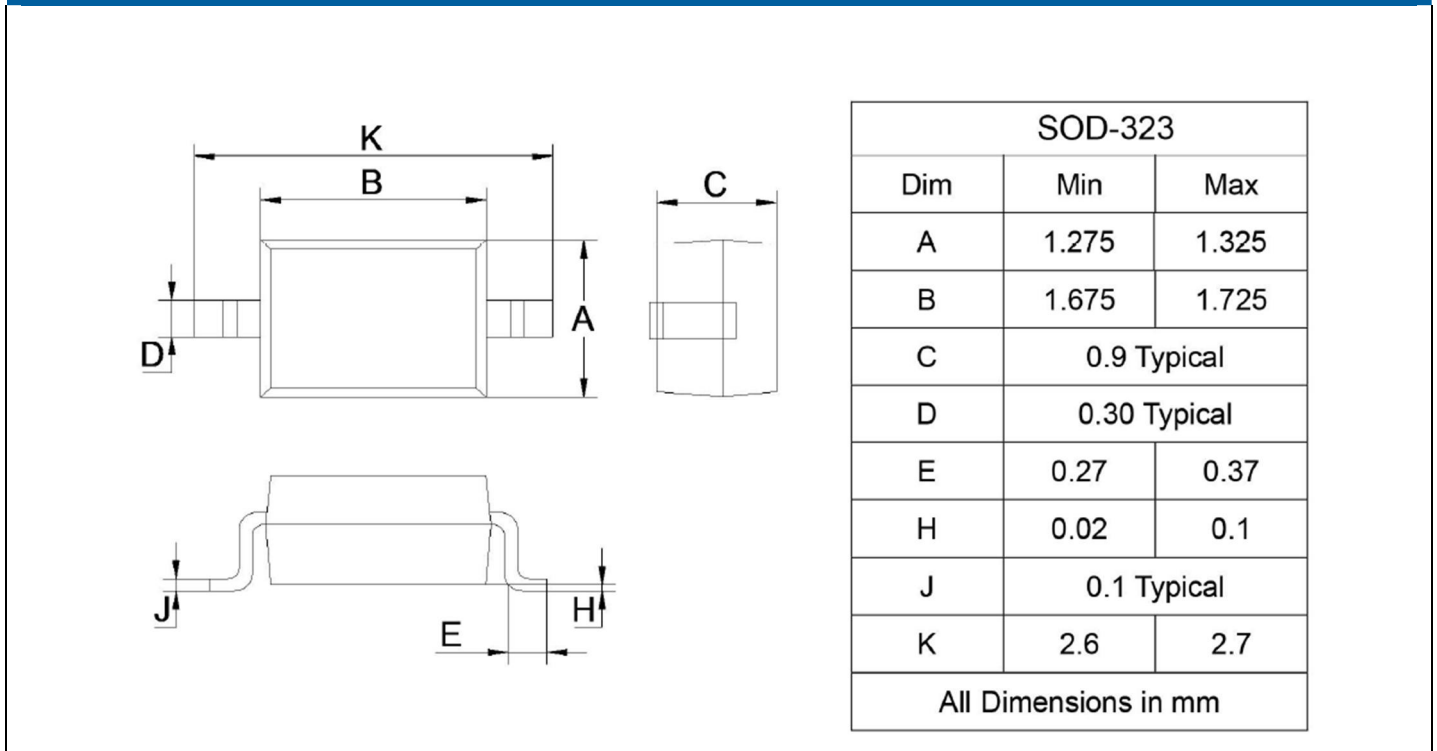
DO-213AB(LL-41,Melf)



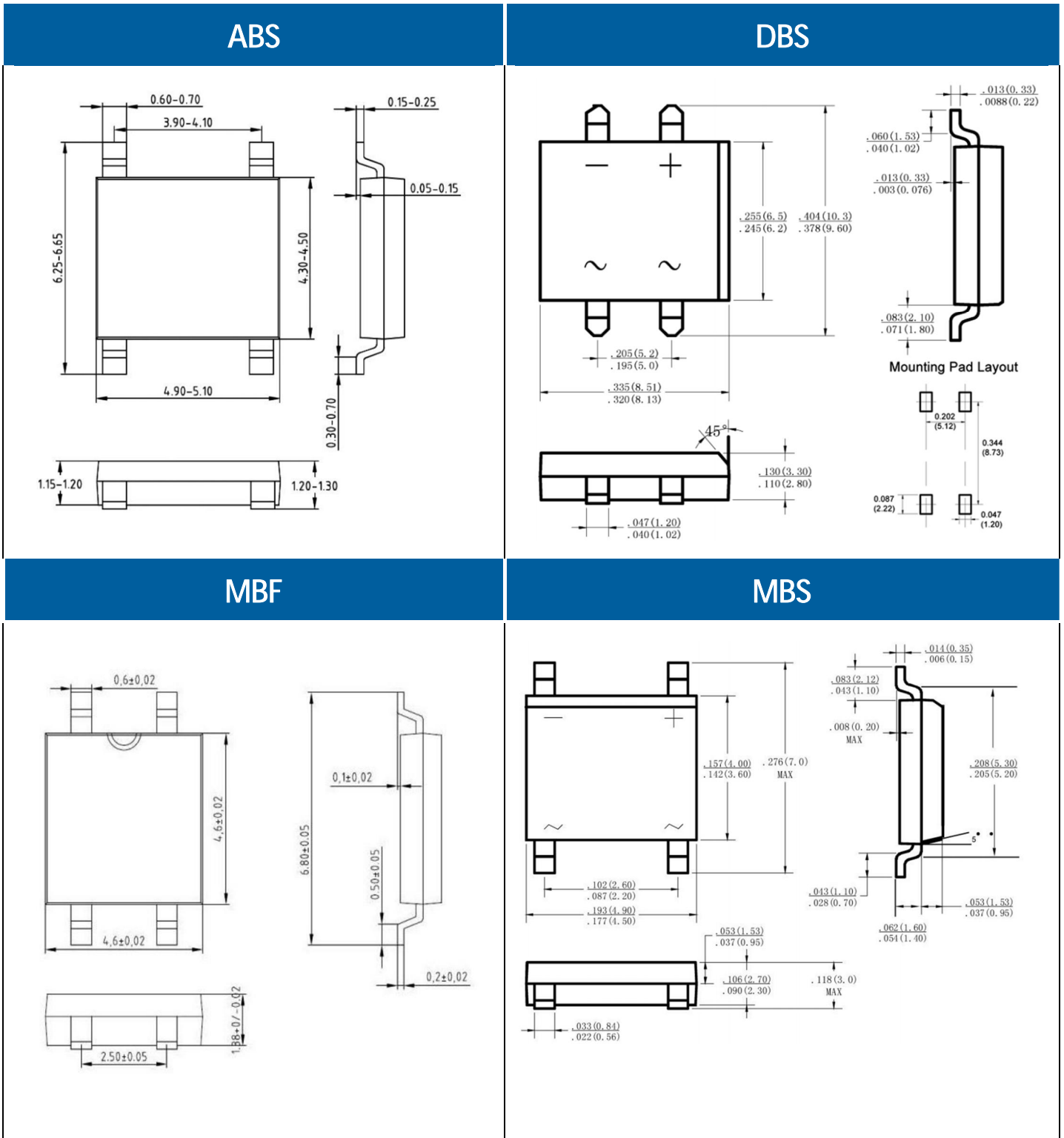
Surface Mount (SMD) Diodes and Rectifiers Package Information



SOD-323



Surface Mount (SMD) Diodes and Rectifiers Package Information



Notes: Specifications are subject to change without notice.

WEE Technology Company Limited www.smddip.com info@smddip.com

Manufacturer of Surface Mount (SMD) and Through Hole (DIP) Diodes & Rectifiers.